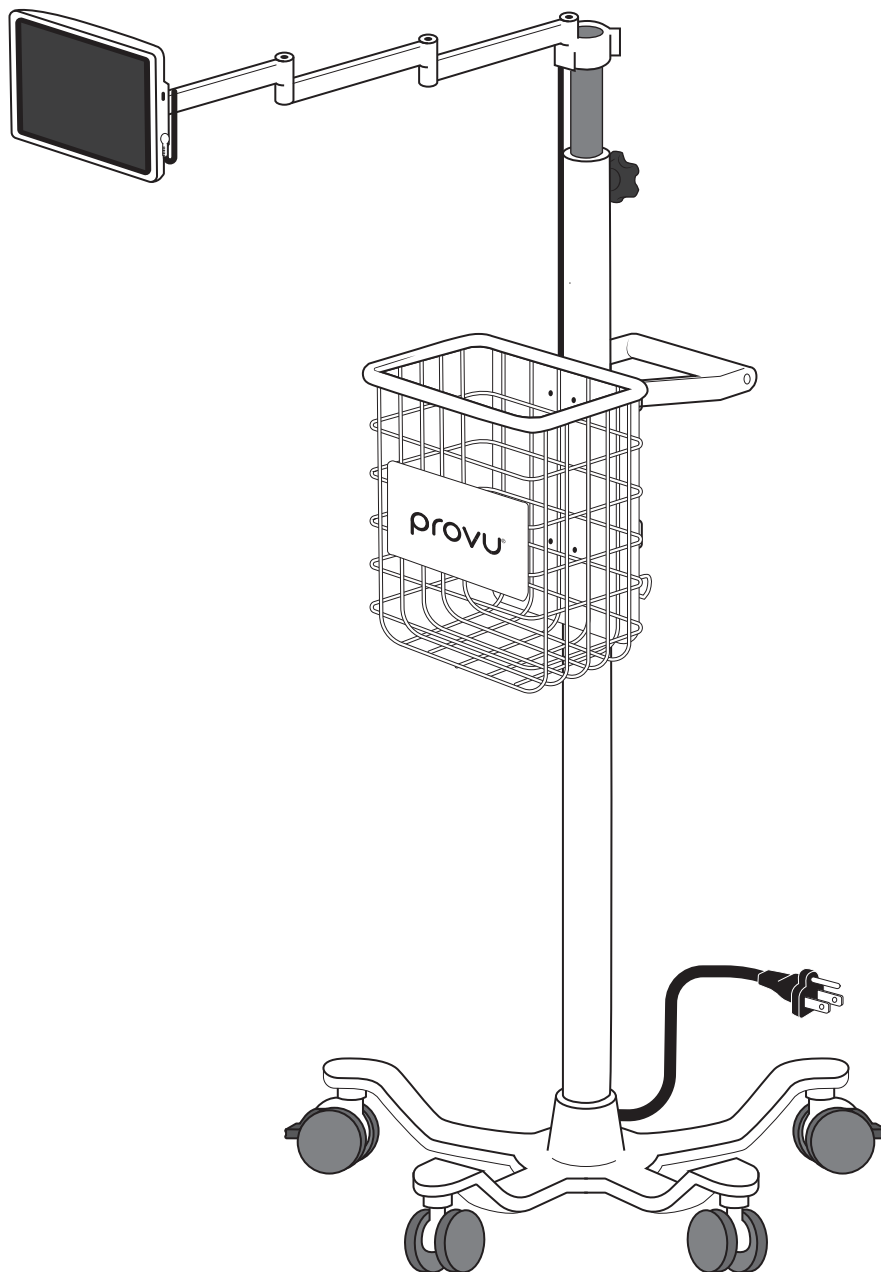


provu[®]

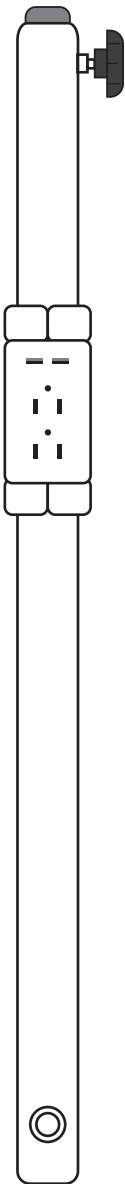
CE

PROVU INTUBATION STATION

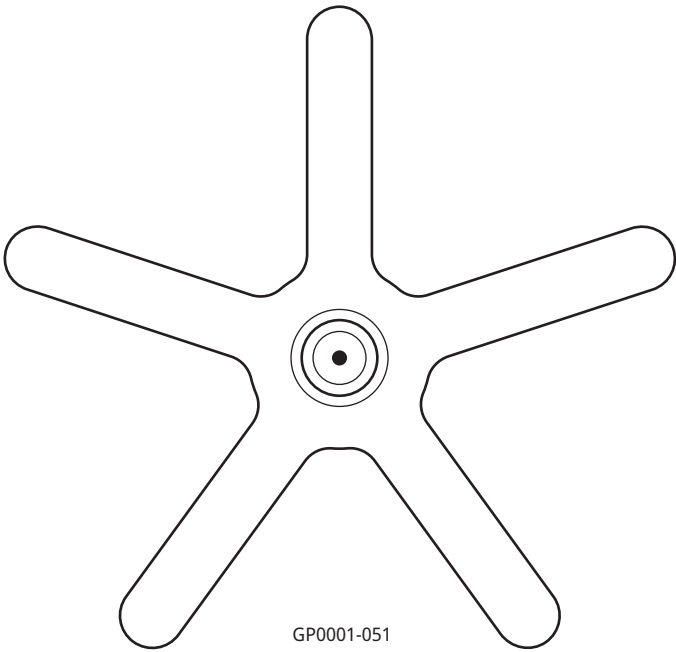


flexicare
TOTAL QUALITY · TOTAL CARE

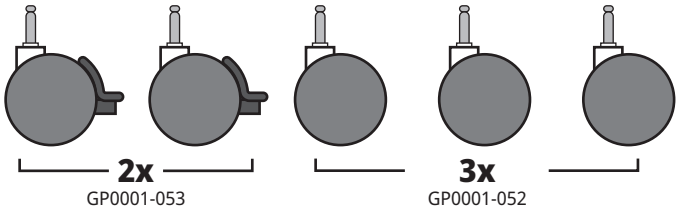
CONTENTS



EP0000-405

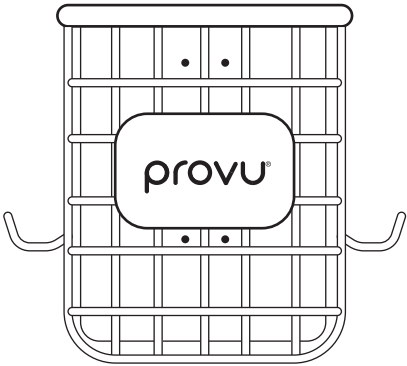


GP0001-051

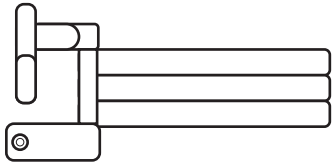


GP0001-053

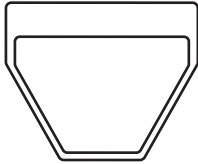
GP0001-052



GP0001-050



GP0001-044



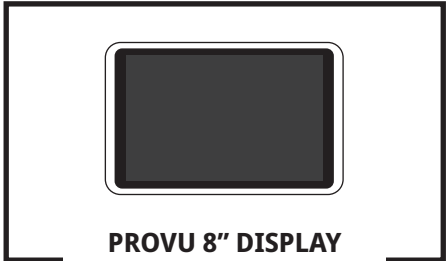
GP0001-049



GP0001-148

GP0001-149

GP0001-150

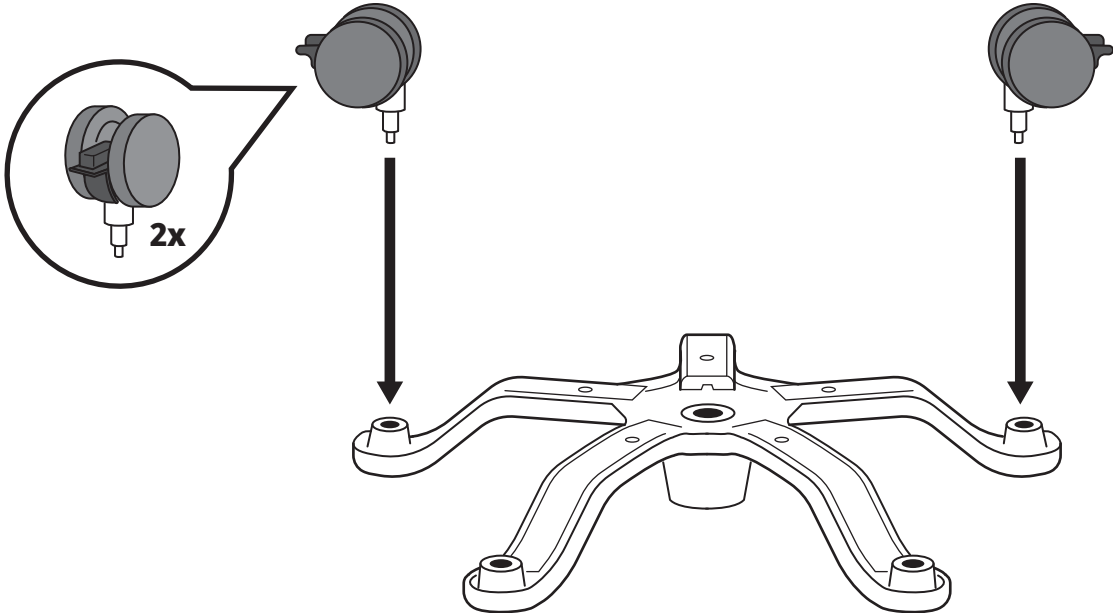


PROVU 8" DISPLAY
SOLD SEPARATELY

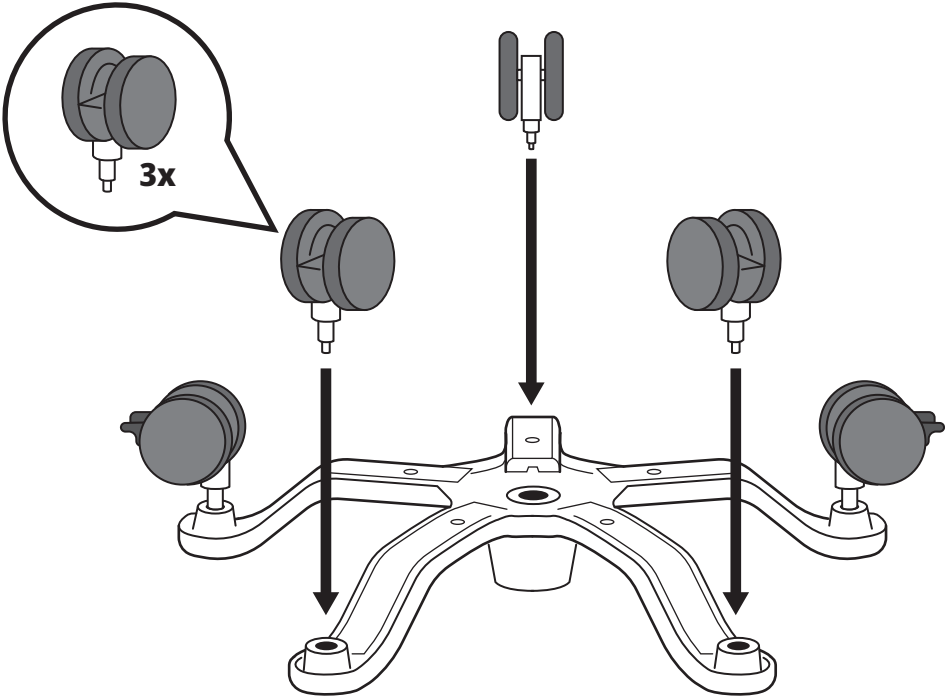
038-990-002U

ASSEMBLY INSTRUCTIONS

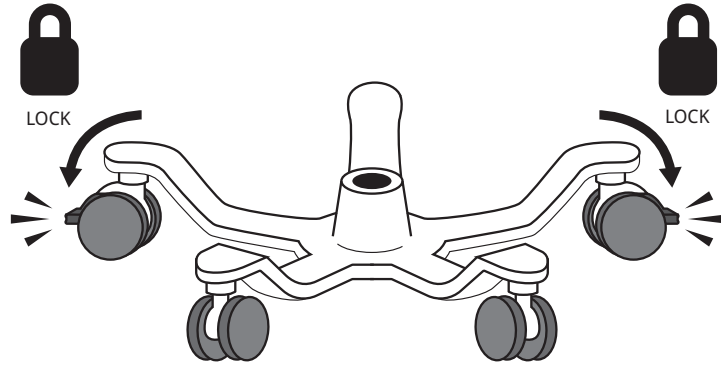
1



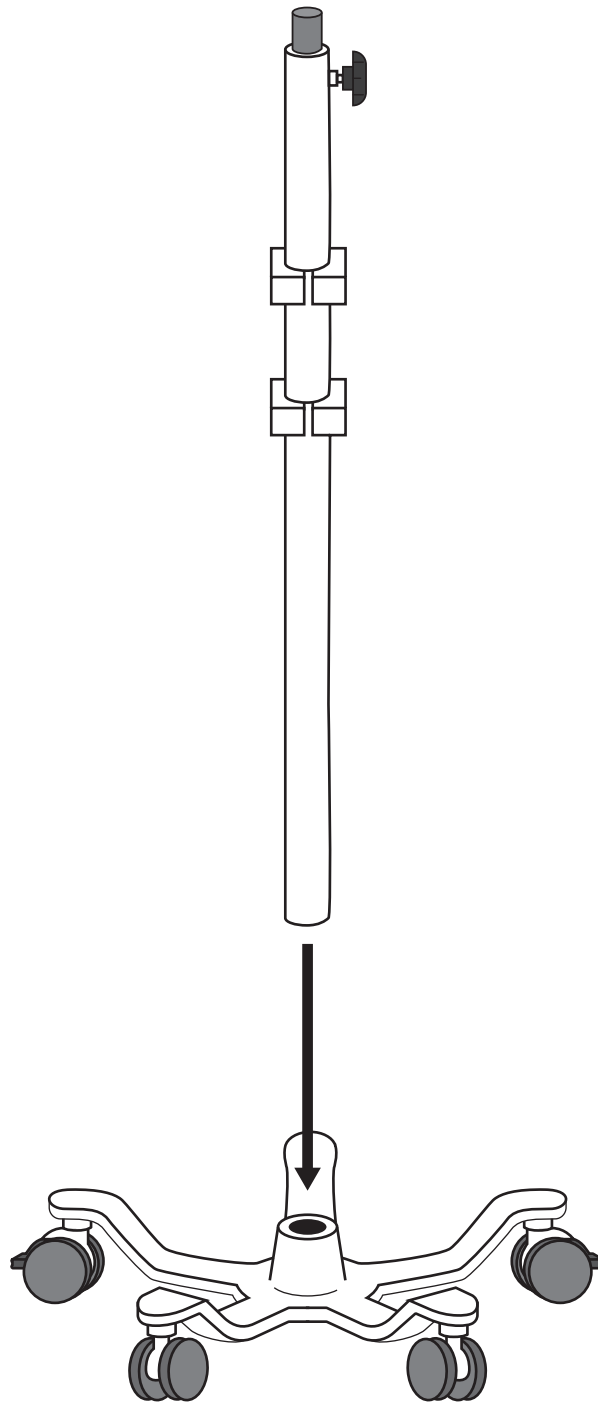
2



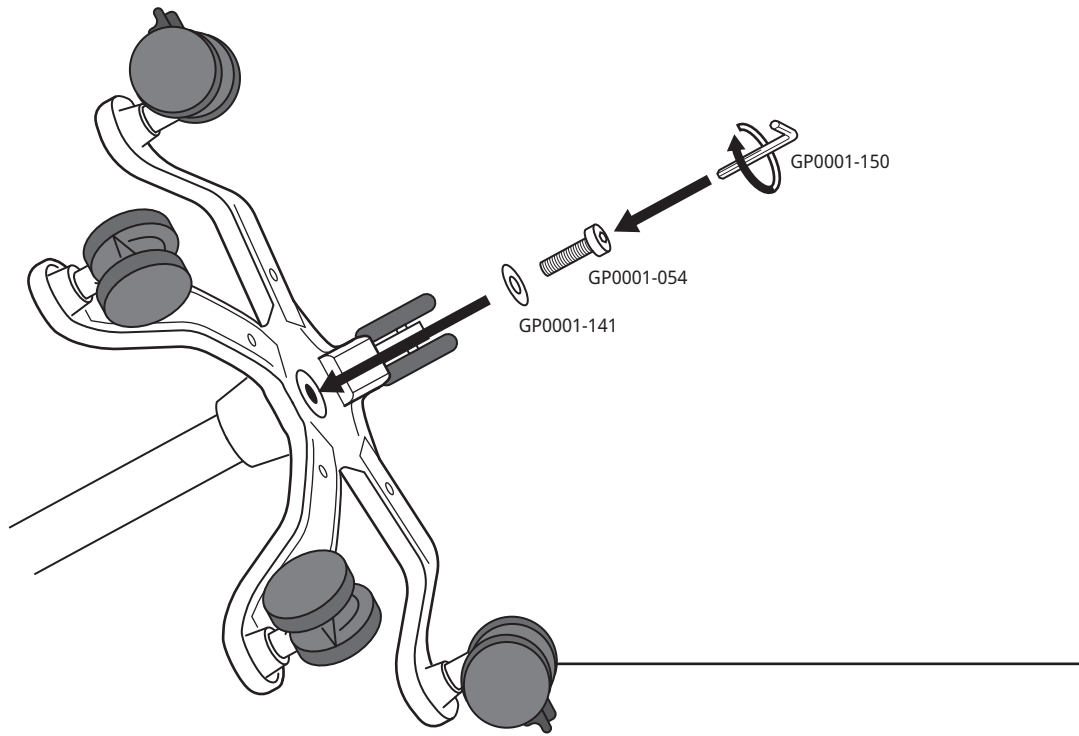
3



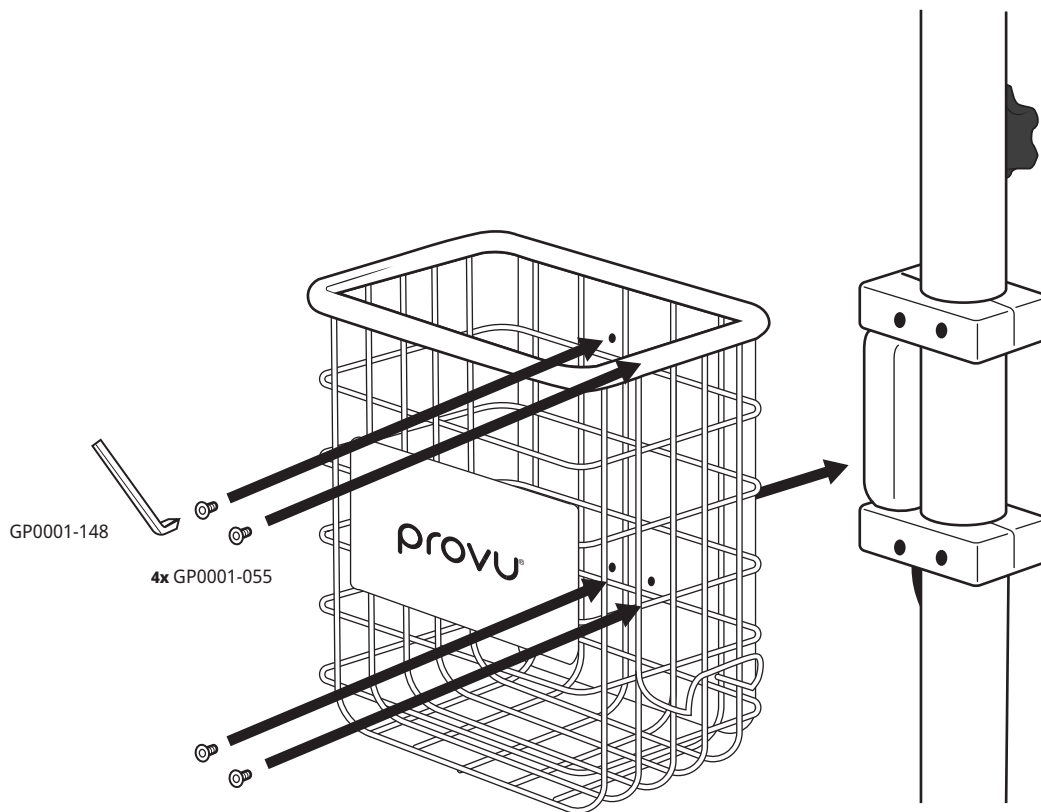
4



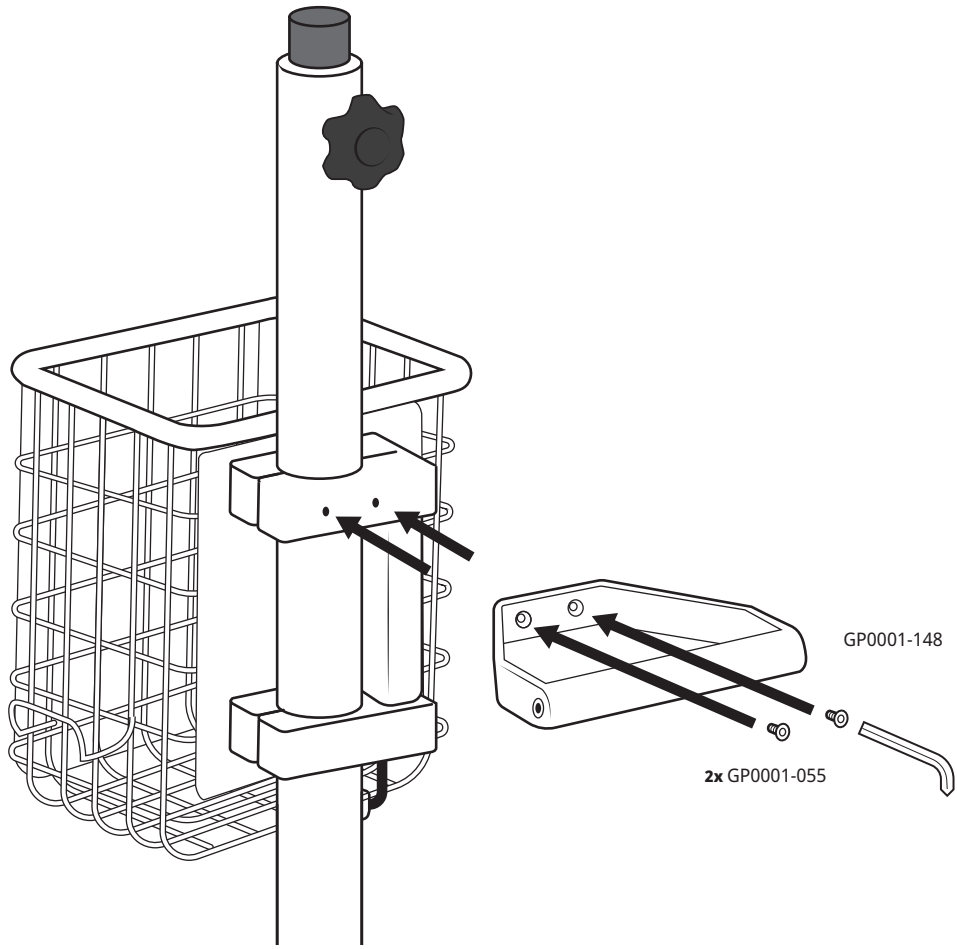
5



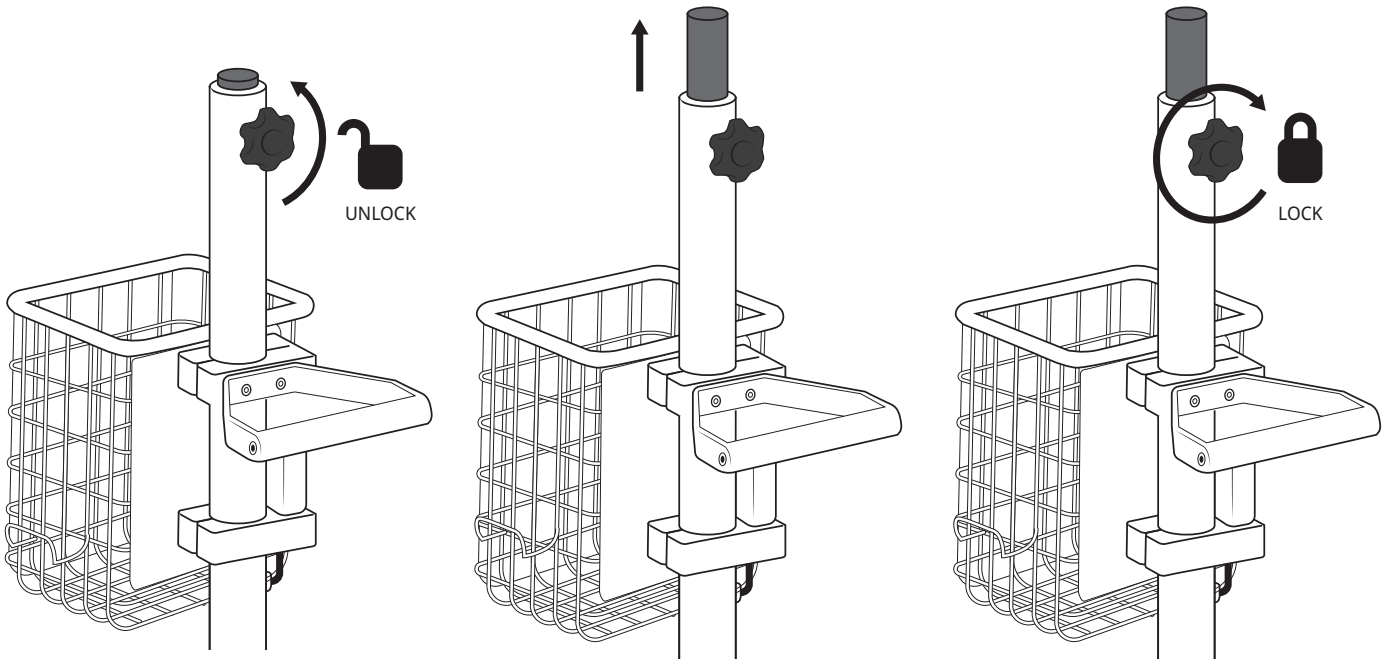
6



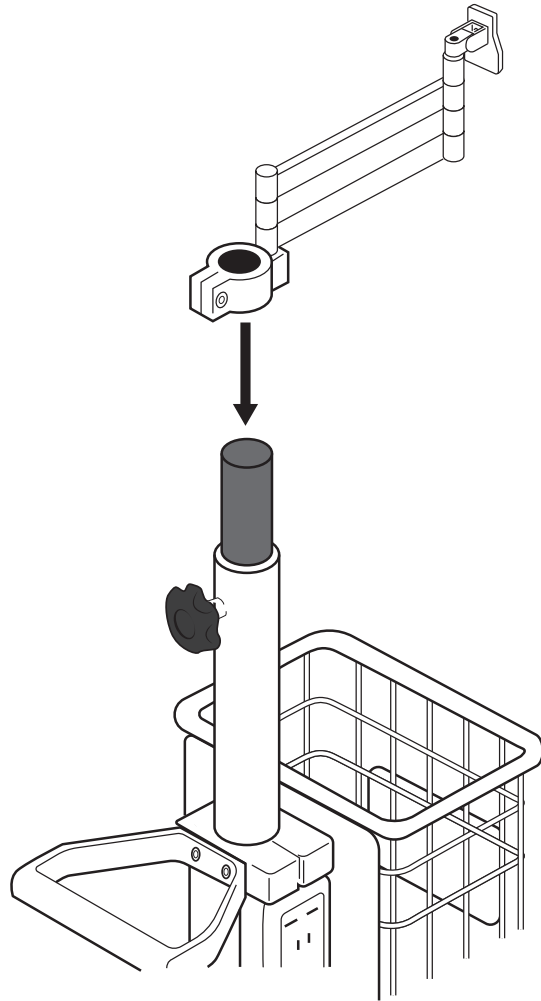
7



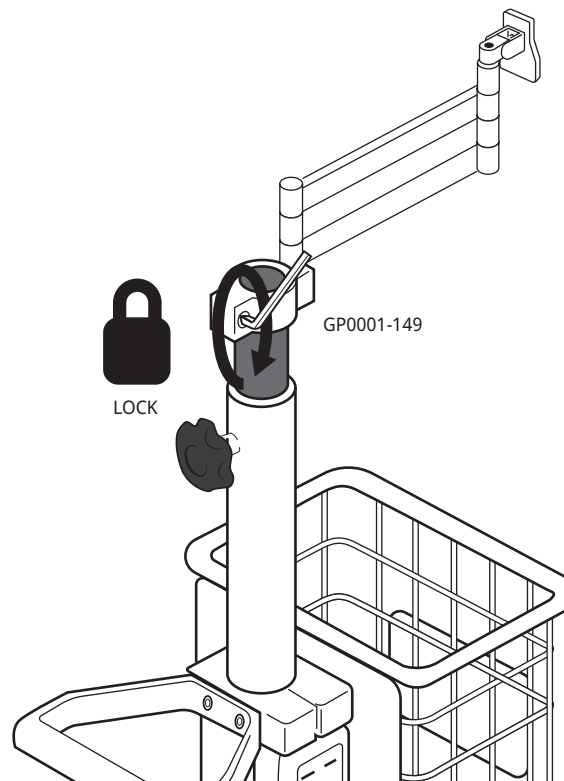
8



9

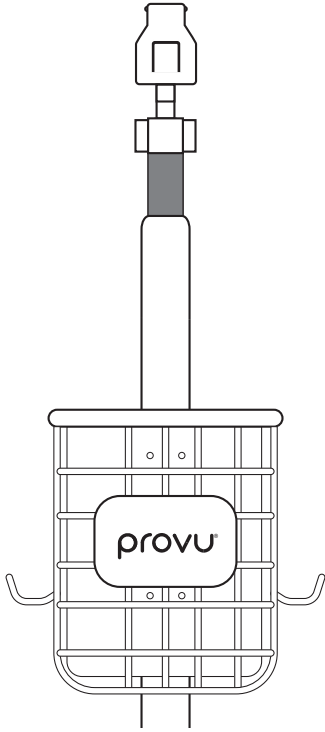


10

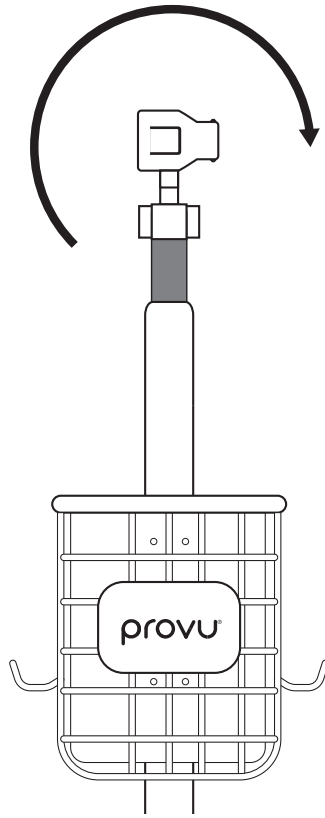


11

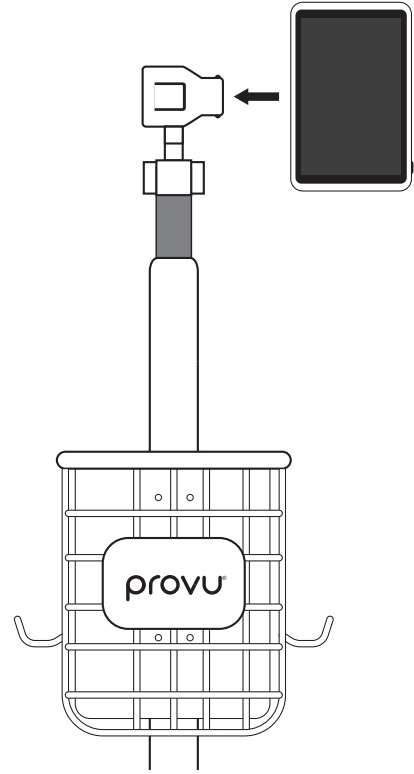
A



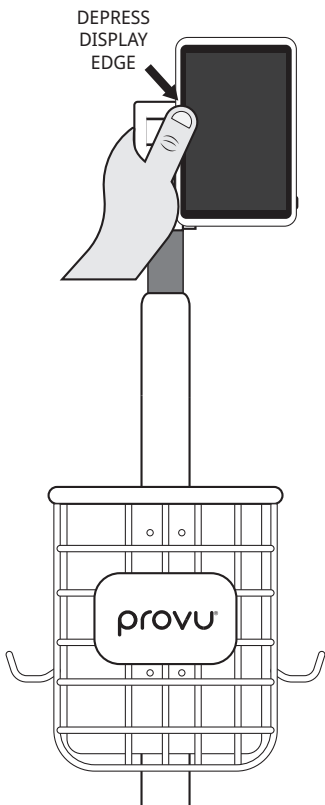
B



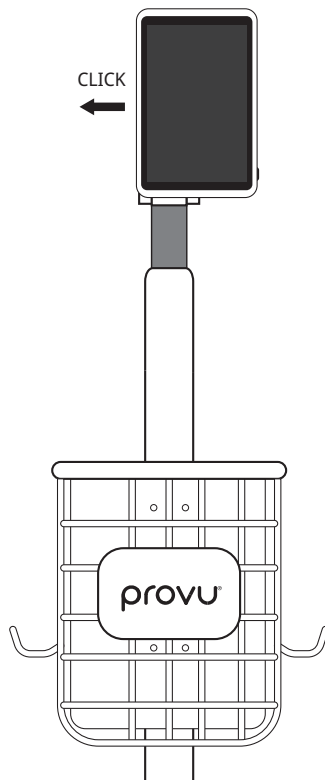
C



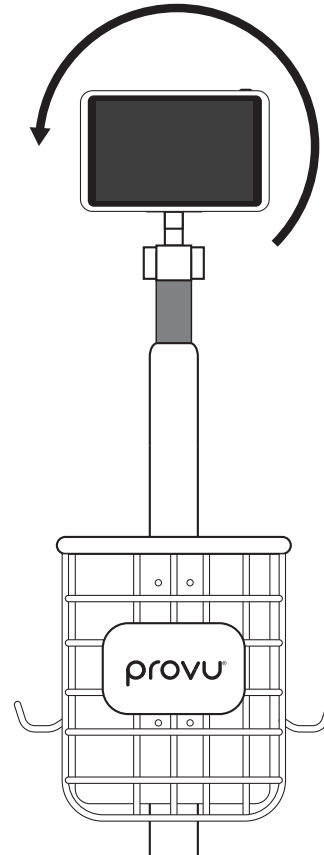
D



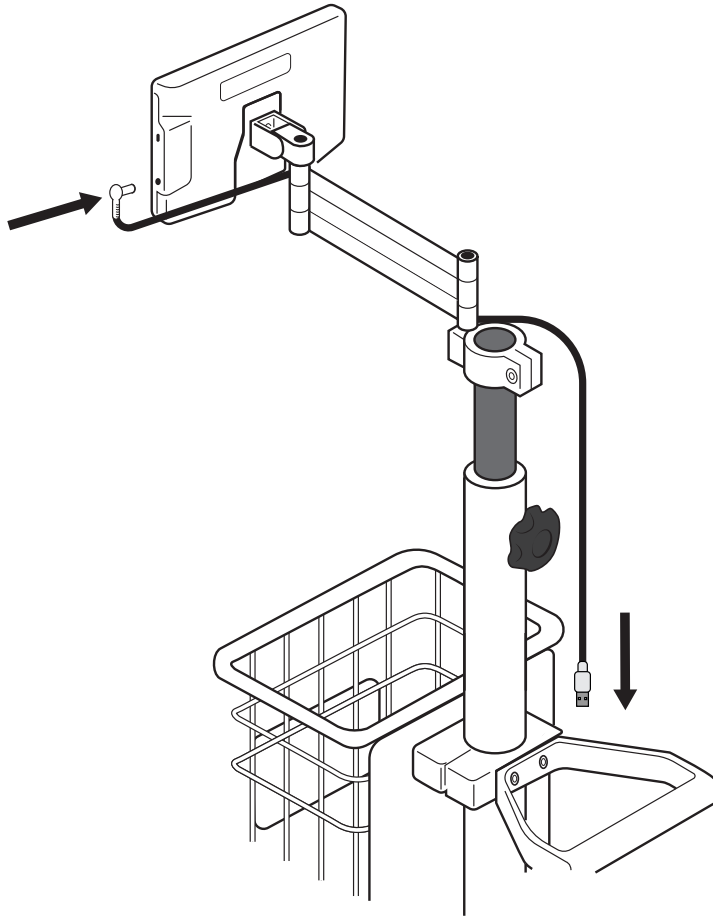
E



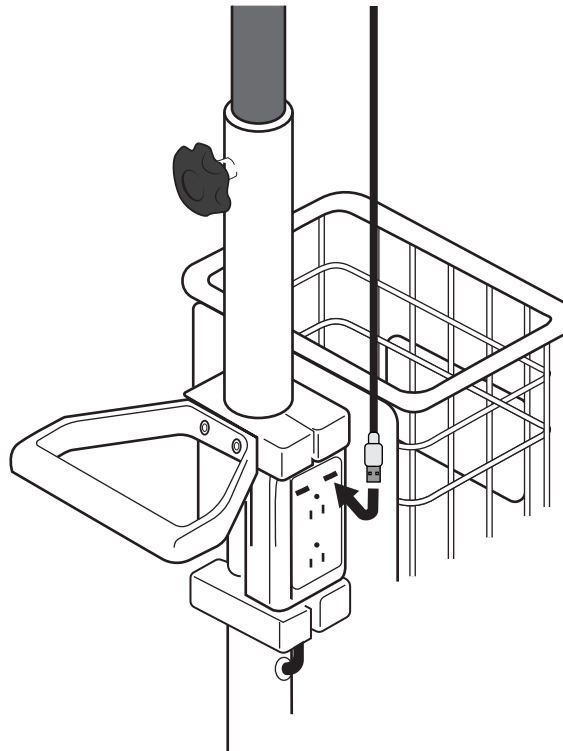
F



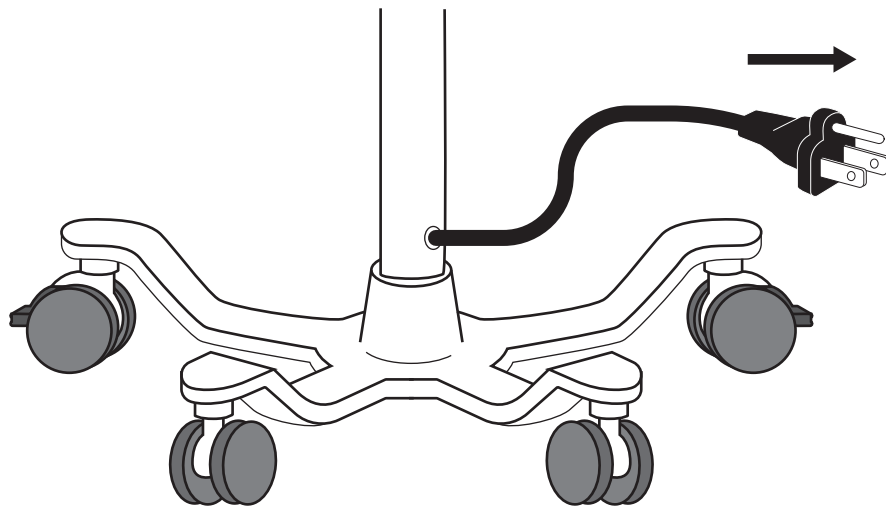
12



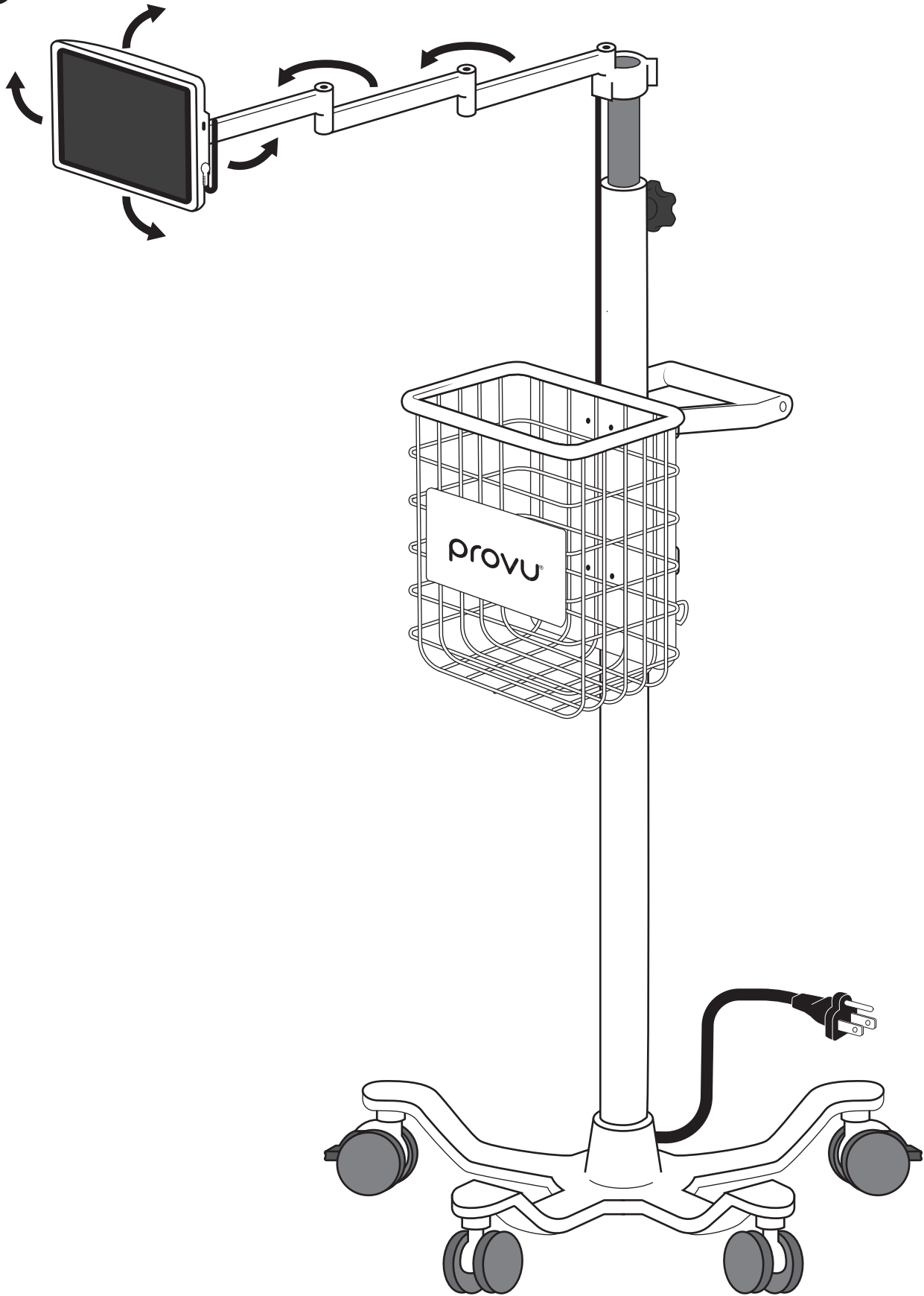
13



14



15



Symbols Glossary

REF

Catalog Number

LOT

Batch Code

CE

Product Conforms with
Directive 93/42/EEC



Consult Instructions for Use



Do Not Use Blade
to Open



Keep Away
From Sunlight



Keep Dry



Recycle

MADE IN:

Country of origin



Flexicare Medical Limited

Cynon Valley Business Park, Mountain Ash, CF45 4ER, UK.

☎ +44 (0)1443 474647

✉ enquiries@flexicare.com

☎ +44 (0)1443 474222

🌐 www.flexicare.com

Distributed by Flexicare, Inc.

15281 Barranca Pkwy, Unit D, Irvine, CA 92618

☎ 949-450-9999

✉ inquiries@flexicare.com

☎ 949-450-9902

🌐 www.flexicare.com