

KLS martin
GROUP



independant[®]

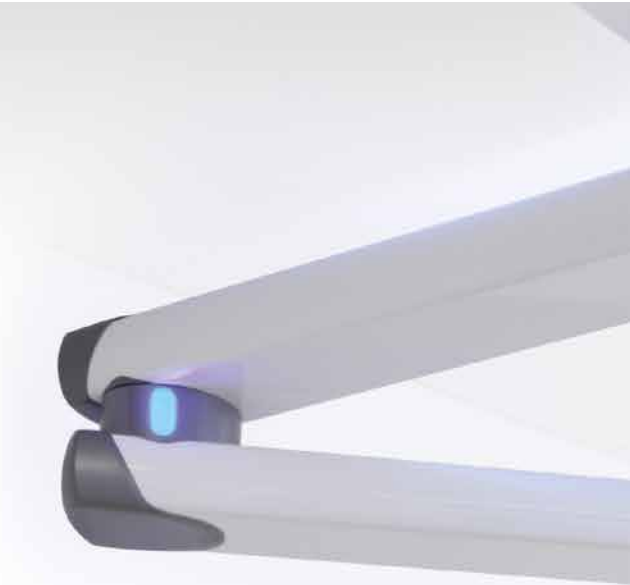
Ceiling supply solutions for operating theaters
and intensive care units

independant®

Flexible positioning and optimized usage of space in operating theaters and intensive care units

The idea of routing equipment and medical gases required for the treatment of patients through swivel-mounted ceiling mounts has long been established in practice. Flexible positioning and optimized use of space in operating theaters and intensive care units but also the ability to meet hygiene requirements and safety concerns all make this the perfect solution. The clear assignment of equipment, elimination of tripping hazards posed by cables and supply lines but particularly unrestricted mobility for all components in the room all speak in favor of this concept.

KLS Martin ceiling mounts are used in surgery, endoscopy, anesthesia, intensive care, or as monitor mounts. We offer tailor-made solutions for all load classes for weights ranging from 30 kg to 1000 kg.





independant® Ceiling Mounts

The new generation of independant® ceiling mounts has been repackaged with a completely new design. The modular layout of the supply units for electrical and gas modules, trays, drawers and infusion poles makes a huge contribution to reducing clutter in operating theaters and intensive care units. The overall unit is made up of the following basic components.

The **base** is the load-bearing basic component and can be configured in five lengths to suit requirements. **Gas, electrical, or data modules** can be attached to the side of the base with their mounts positioned at the front or rear as required. This declutters the working environment for staff and makes it easier to operate equipment. Care has been taken to provide a high integration density of power outlets, data ports, gas connections, and pressure gauges for each module. The resulting reduction in volume provides noticeably more space in the working environment. All modules can be attached to the left or right-hand side of the base as required. Individual design preferences can thus already be taken into account in the planning phase.

The systems at a glance

The supply unit can be combined with the following mounting systems:

independant® 101

Swivel mount with vertically adjustable spring arm with a load-bearing capacity of up to 180 kg or a motorized arm with a load-bearing capacity of up to 150 kg. Safe positioning with the option of electromagnetic or pneumatic brakes.

independant® 201

Motorized, height-adjustable swivel mount for load-bearing capacities of up to 250 kg. Large line apertures for medical gases, electric cables, and data cables. Safe positioning using electromagnetic or pneumatic brakes.

independant® 301

Universal heavy-duty mounting system up to 640 kg for surgery/endoscopy/anesthesia/intensive care. Available with either one or two-armed extension, featuring a large swivel angle. High positioning accuracy due to pneumatic brakes.

independant® 401

Stands out from the crowd – not only thanks to its user-friendly design with no external screw fixtures. The mounting system has a load capacity of up to 640 kg and a whole lot more: the wear-free, electromagnetic braking system is color-coded and available with optional LED lighting that provides visual feedback to indicate at which bearing the brake is released. Large openings and apertures enable smooth and fast installation of the ceiling-mounted supply unit.

independant® 501

The heavy-duty mounting system is designed for highest loads (up to 1000 kg). The mounting system is used particularly in hybrid OTs or for lifting anesthesia machines.

E-brake

Safe and flexible in an emergency

E-Brake, the innovative electromagnetic passive brake, holds the system safely in position even in the event of power failure. At the same time, the E-Brake is designed to allow manual repositioning at all times.





SurroundLED

Adjustable lighting in the arm and base. Dimmable LED lights as an indirect light source for operating theaters or as an additional guide for nursing personnel in intensive care units: independant® delivers appropriate lighting courtesy of its SurroundLED C in the upper arm and the SurroundLED F in the base of the unit.



BrakeGuide

Noticeably improved ease of use. The BrakeGuide with its colored LED illumination makes operating errors on the E-Brake virtually impossible. It offers visual feedback to indicate at which mounting point the brake is released. Particularly in a dark OT environment, the BrakeGuide thus offers a clear boost in safety and user-friendliness.



Flat screen mount

The TFT mount is attached to the multifunction rack. Height-adjustable gas pressure arms and a height-adjustable bracket make this the perfect way to expand the available workspace.

Multifunction rack

Different attachments can be mounted on the multifunction rack, which is available in three lengths. Trays, draws, flat screens, and infusion modules can be added. The trays and draws can be freely adjusted to any height and can be seamlessly adapted to the dimensions of the devices that will be mounted on them.

MediSound System / audio module

The MediSound System is the first medically approved audio system for use in operating theaters and intensive care units. Four loudspeakers in the supply unit or optionally one external spherical speaker generate a unique sound experience.

Trays

Trays are available in different designs and widths, with buttons for controlling the brakes in the support arms and drawers that can be mounted underneath. The handles are made of hard and soft plastic to offer built-in bump and knock protection. Depending on the application requirements and available space, trays and drawers can be ergonomically affixed to the front or rear.

CEMOR®

The monitor bracket system

The requirements for imaging systems increase from year to year with the number and size of monitors in particular growing.

Both combinations of several smaller monitors as well as accommodation of very large flat screens has now become standard practice in medical imaging.

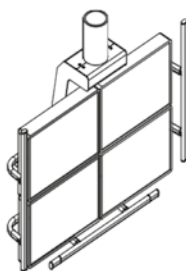
The CEMOR® monitor bracket system ideally meets these requirements. The modular design of the system enables integration of up to eight monitors ranging in size from 19 to 24 inch. Even for 24 inch monitors there are still up to six system positions available.

The system also offers the option of accommodating single monitors of up to 60 inches in size.

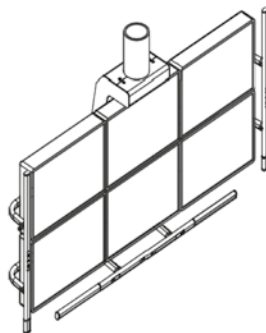
The monitor bracket is available as 4-, 6-, 8-fold version as well as for large screens:

Number of monitors	Possible sizes of monitors (depending on weight and height)	Horizontal monitors	Vertical monitors
4-fold	19" - 32"	2	2
6-fold	19" - 32"	3	2
8-fold	19" - 24"	4	2
LS (Large Screen)	37" - 60"	1	1

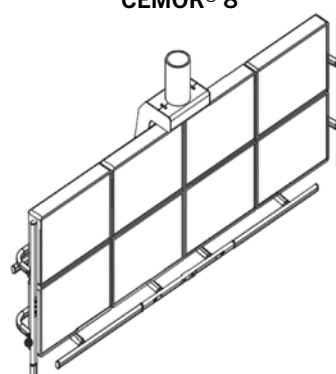
CEMOR® 4



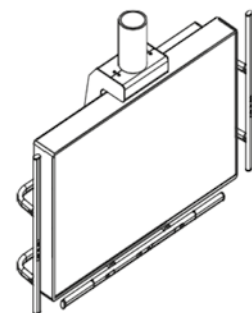
CEMOR® 6



CEMOR® 8



CEMOR® LS





KLS Martin Group

KLS Martin Australia Pty Ltd.

Sydney · Australia
Tel. +61 2 9439 5316
australia@klsmartin.com

Martin Italia S.r.l.

Milan · Italy
Tel. +39 039 605 67 31
italia@klsmartin.com

Martin Nederland/Marned B.V.

Huizen · Netherlands
Tel. +31 35 523 45 38
infonl@klsmartin.com

KLS Martin UK Ltd.

Reading · United Kingdom
Tel. +44 118 467 1500
uk@klsmartin.com

KLS Martin do Brasil Ltda.

São Paulo · Brazil
Tel. +55 11 3554 2299
brazil@klsmartin.com

Nippon Martin K.K.

Tokyo · Japan
Tel. +81 3 3814 1431
nippon@klsmartin.com

Gebrüder Martin GmbH & Co. KG

Moscow · Russia
Tel. +7 499 792 76 19
russia@klsmartin.com

KLS Martin LP

Jacksonville · Florida, USA
Tel. +1 904 641 77 46
usa@klsmartin.com

KLS Martin Medical (Shanghai) International Trading Co. Ltd

Shanghai · China
Tel. +86 21 5820 6251
china@klsmartin.com

KLS Martin SE Asia Sdn. Bhd.

Penang · Malaysia
Tel. +604 506 2380
malaysia@klsmartin.com

KLS Martin Taiwan Ltd.

Taipei 106 · Taiwan
Tel. +886 2 2325 3169
taiwan@klsmartin.com

KLS Martin India Pvt Ltd.

Chennai · India
Tel. +91 44 66 442 300
india@klsmartin.com

KLS Martin de México S.A. de C.V.

Mexico City · Mexico
Tel. +52 55 7572 0944
mexico@klsmartin.com

Gebrüder Martin GmbH & Co. KG

Dubai · United Arab Emirates
Tel. +971 4 454 16 55
middleeast@klsmartin.com

Gebrüder Martin GmbH & Co. KG

A company of the KLS Martin Group

KLS Martin Platz 1 · 78532 Tuttlingen · Germany
P.O. Box 60 · 78501 Tuttlingen · Germany
Tel. +49 7461 706-0 · Fax +49 7461 706-193
info@klsmartin.com · www.klsmartin.com